

**oToBrite**



# Automotive Camera



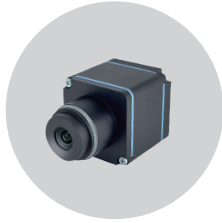
oToCAM264ISP-T Series (IMX390)

## Overview

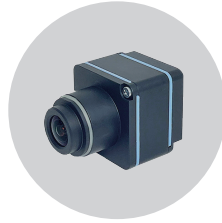
The oToCAM264ISP-H61T/ oToCAM264ISP-N73T/ oToCAM264ISP-C103T/ oToCAM264ISP-C120T/ oToCAM264ISP-N186T, offers reliable automotive-grade cameras designed for autonomous driving applications. These cameras use high-sensitivity CMOS sensors to provide solid image quality, effectively meeting the visual detection needs of system products.



oToCAM264ISP-H61T



oToCAM264ISP-N73T



oToCAM264ISP-C103T



oToCAM264ISP-C120T



oToCAM264ISP-N186T

## Specifications

### • General Specifications

Item	Specifications
Image sensor	CMOS (Sony IMX390)
HDR	Supported
LFM	Supported
Optical format	1/2.7"
Pixel size	3.0μm (H) × 3.0μm (V)
ISP	Yes
ISP chip	GW5200
Camera output pixel number	2M (1920 (H) × 1080 (V))
Color filter array	RGGB
Output interface	FPD-Link III with POC
Output formats	MIPI 4lane YUV422 8bits UYVY
S/N ratio	48.5 dB
Power source (POC)/ Typical	DC 9~12V/ 9V
Startup time of power in	Within 1500ms (SerDes & ISP initialization)
Frame rate	30 fps (By setting)
Serializer	TI953
Camera current consumption	≤ 158mA @12V/ 25°C
Connector	Amphenol SMB1251Y3-002-TT5GP-50
Operating temperature	-40°C ~ +85°C
Storage temperature	-40°C ~ +95°C
Dust/ Waterproof	IP67/ IP69K

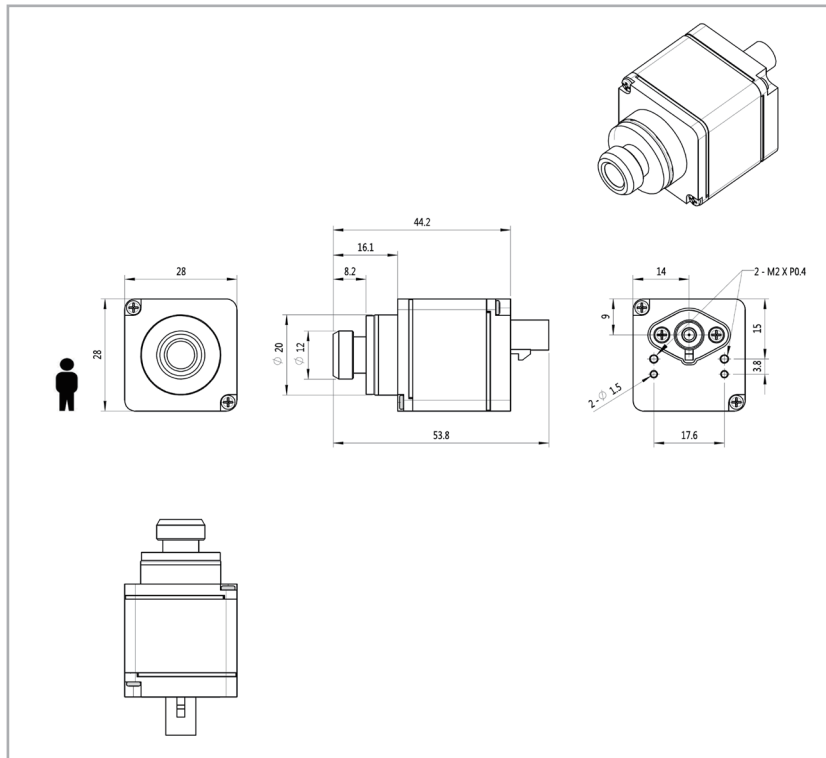
## • Product Specifications (by models)

Item	oToCAM264ISP-H61T	oToCAM264ISP-N73T	oToCAM264ISP-C103T
View angle(H)	63.9°	73°	103°
Lens F No.	F1.6	F2.8	F2.0
IR cut edge	650nm	650nm	650nm
DOF/ Object distance	3.0M~inf.@Inf.	1.3M~inf.@inf.	1.0M~inf.@Inf.
Resolution	TV line Center $\geq 600$ , Corner $\geq 500$	TBD	TBD
Dimensions	28*28*44.2 mm (exclude Fakra connector)	28*28*44.5 mm (exclude Fakra connector)	28*28*44.6 mm (exclude Fakra connector)
Weight	38g	48g	47.5g

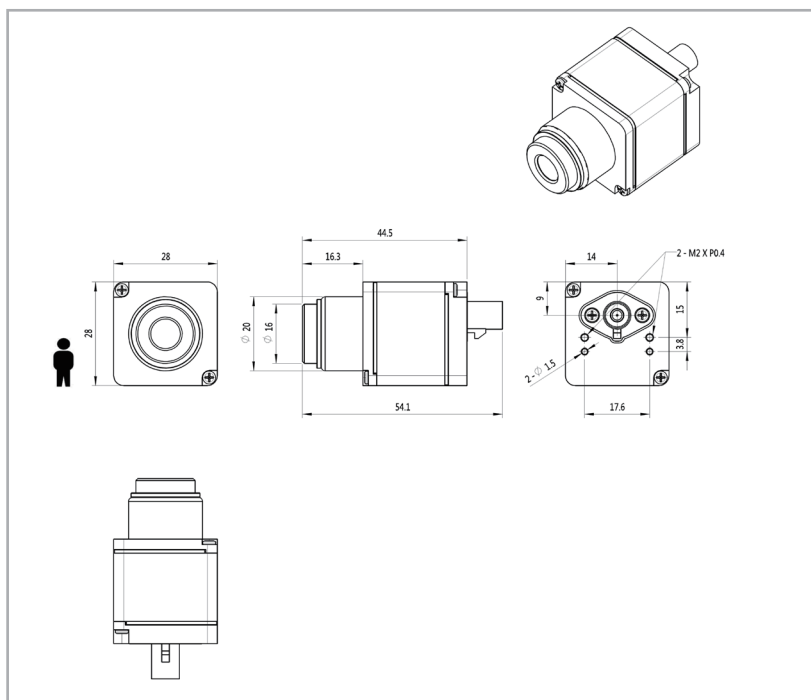
Item	oToCAM264ISP-C120T	oToCAM264ISP-N186T
View angle(H)	120.6°	186°
Lens F No.	F1.4	F2.4
IR cut edge	650nm	650nm
DOF/ Object distance	1.0M~inf.@Inf.	0.2M~inf.@50cm
Resolution	TV line Center $\geq 600$ , Corner $\geq 500$	TV line Center $\geq 600$ , Corner $\geq 500$
Dimensions	28*28*45.2 mm (exclude Fakra connector)	28*28*50.2 mm (exclude Fakra connector)
Weight	50g	50g

# Outline Drawing

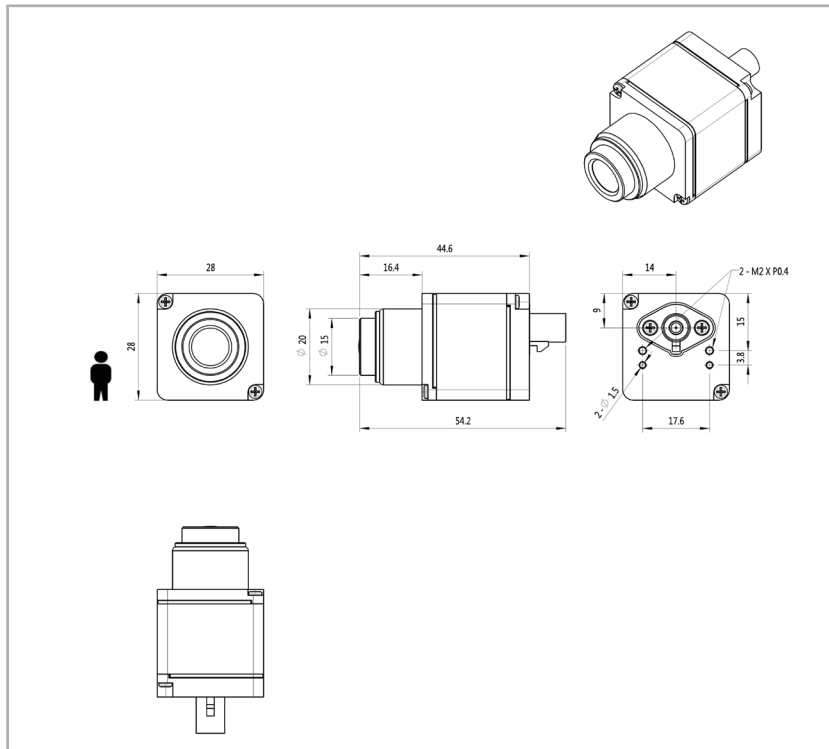
## • oToCAM264ISP-H61T Mechanical Dimensions



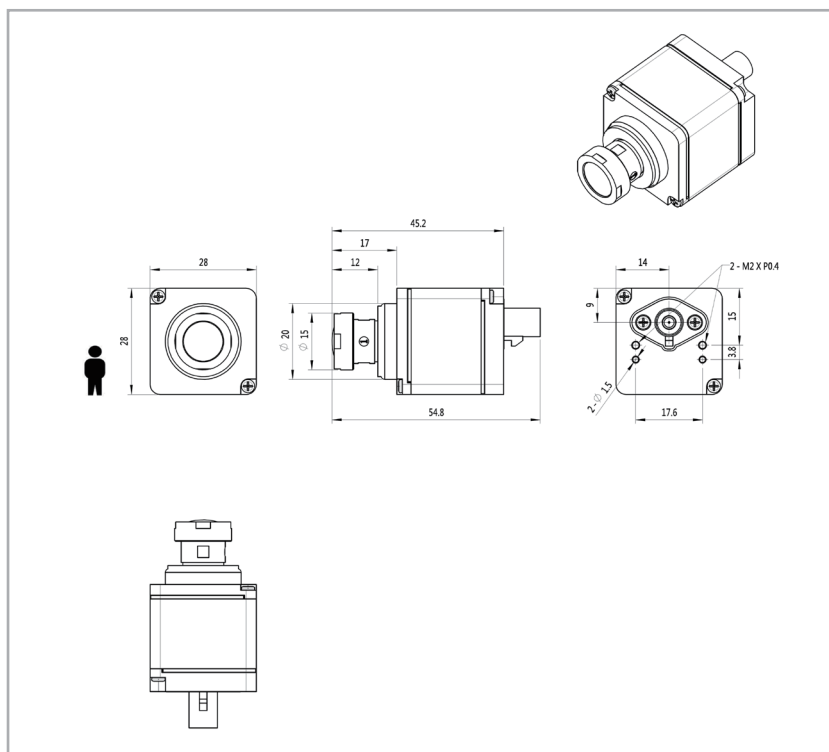
## • oToCAM264ISP-N73T Mechanical Dimensions



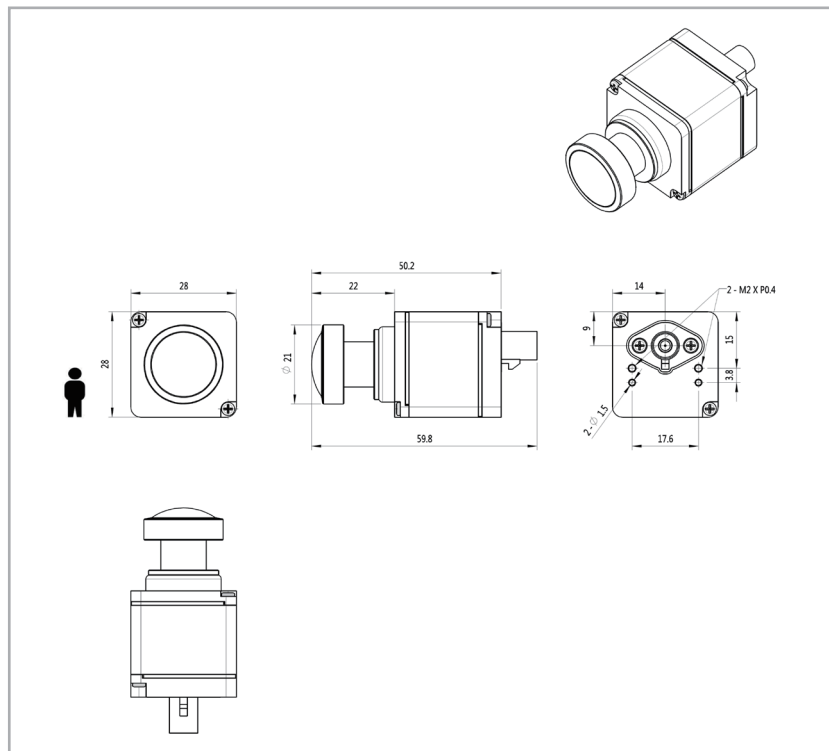
• oToCAM264ISP-C103T Mechanical Dimensions



• oToCAM264ISP-C120T Mechanical Dimensions



• oToCAM264ISP-N186T Mechanical Dimensions



*driving easier and safer*



6F, No.18, Prosperity Rd.II, Science-Based Industrial Park,  
Hsinchu, Taiwan, R.O.C

| +886-(0)3-666-7968

| sales@otobrite.com

| www.otobrite.com