

oToBrite



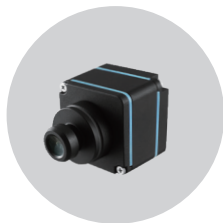
Automotive Camera



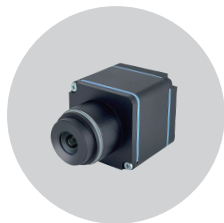
oToCAM264-M Series (IMX390)

Overview

The oToCAM264-H61M / oToCAM264-N73M / oToCAM264-C120M / oToCAM264-N186M, offers reliable automotive-grade cameras designed for autonomous driving applications. These cameras use high-sensitivity CMOS sensors to provide solid image quality, effectively meeting the visual detection needs of system products.



oToCAM264-H61M



oToCAM264-N73M



oToCAM264-C120M



oToCAM264-N186M

Specifications

• General Specifications

Item	Specifications
Image sensor	CMOS (Sony IMX390)
HDR	Supported
LFM	Supported
Optical format	1/2.7"
Pixel size	3.0 μ m (H) \times 3.0 μ m (V)
ISP	None
Camera output pixel number	2M (1920 (H) \times 1080 (V))
Color filter array	RGGB
Output interface	GMSL2 with POC
Output formats	12-bit raw data (By setting)
S/N ratio	48.5 dB
Power source (POC)/ Typical	DC 6~12V/ 6V
Startup time of power in	Within 200ms
Frame rate	30 fps (By setting)
Serializer	MAX9295a
Camera current consumption	\leq 150mA @12V
Operating temperature	-40°C ~ +85°C
Storage temperature	-40°C ~ +95°C
Dust & Waterproof	IP67/ IP69K

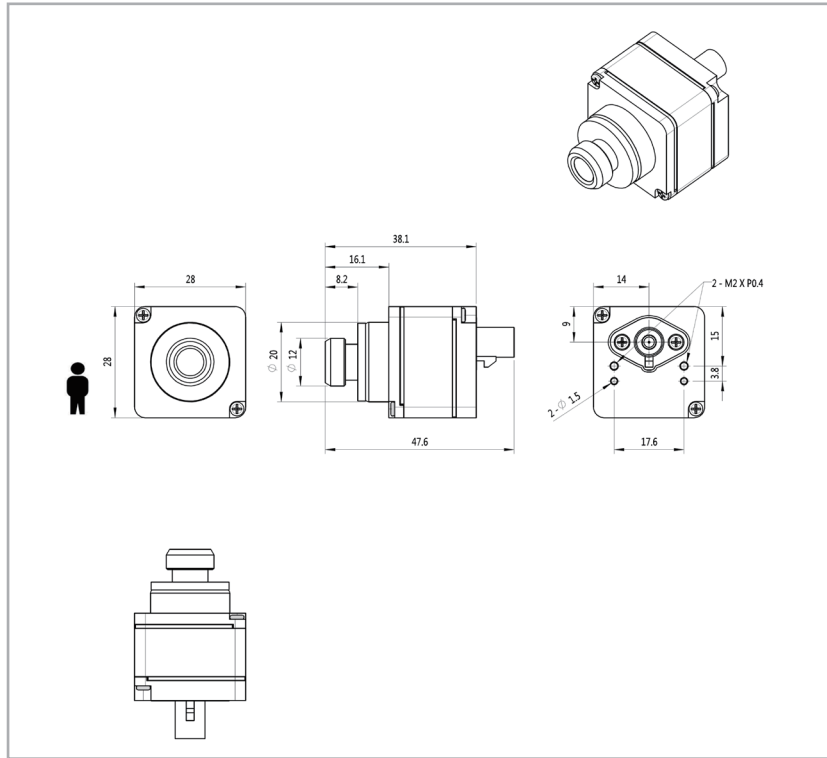
• Product Specifications (by models)

Item	oToCAM264-H61M	oToCAM264-N73M
View angle(H)	63.9°	73°
Lens F No.	F1.6	F2.8
IR cut edge	650nm	650nm
DOF/ Object distance	3M~inf.@Inf.	1.3M~inf.@inf
Resolution	SFR Center $\geq 40\%$, Corner $\geq 30\%$ @60lp/mm	SFR Center $\geq 50\%$, Corner $\geq 40\%$ @83lp/mm
Connector	Amphenol SMB1251Y3-002-TT5GP-50	Amphenol SMB1251Y3-002-TT5GP-50
Dimensions	28*28*44.2 mm (exclude Fakra connector)	28*28*38.3 mm (exclude Fakra connector)
Weight	38g	39.5g

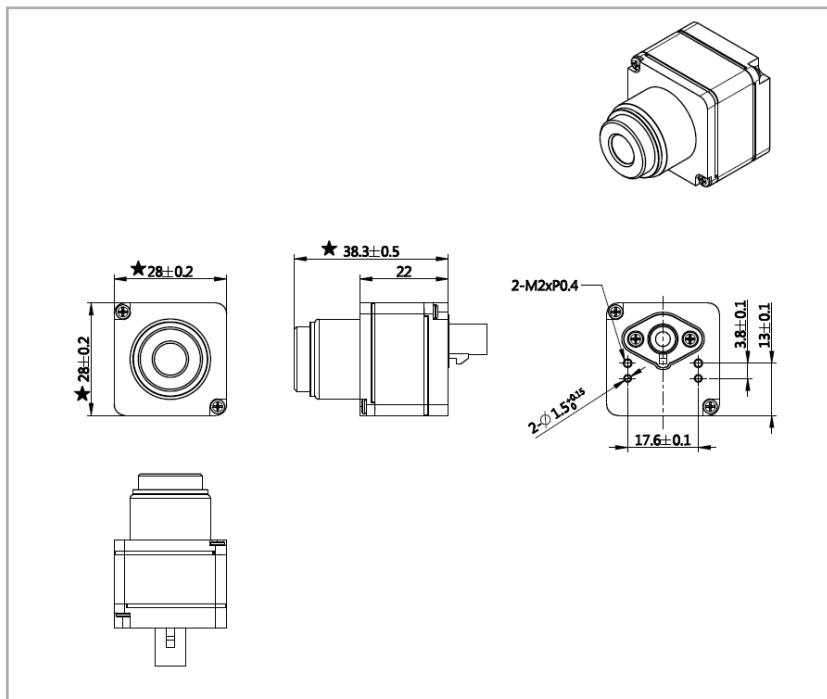
Item	oToCAM264-C120M	oToCAM264-N186M
View angle(H)	120.6°	186°
Lens F No.	F1.4	F2.4
IR cut edge	650nm	650nm
DOF/ Object distance	1M~inf.@Inf.	0.2M~inf.@50cm
Resolution	SFR Center $\geq 50\%$, Corner $\geq 40\%$ @83lp/mm	SFR Center $\geq 50\%$, Corner $\geq 40\%$ @83lp/mm
Connector	Amphenol SMB1251Y3-002-TT5GP-50	Amphenol SMB1251Y3-002-TT5GP-50
Dimensions	28*28*39 mm (exclude Fakra connector)	28*28*44 mm (exclude Fakra connector)
Weight	35.3g	41g

Outline Drawing

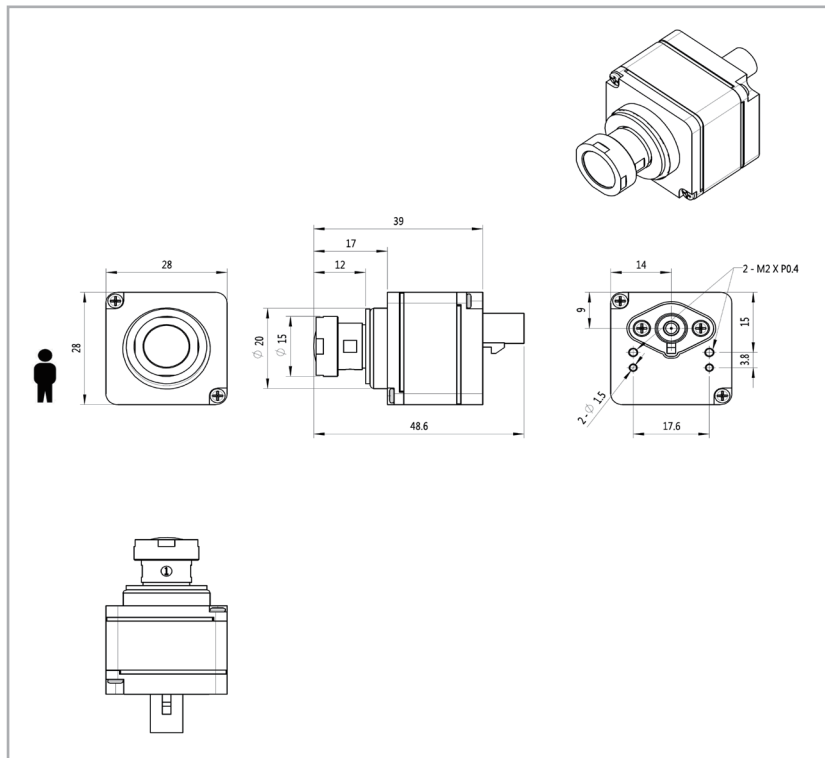
- oToCAM264-H61M Mechanical Dimensions



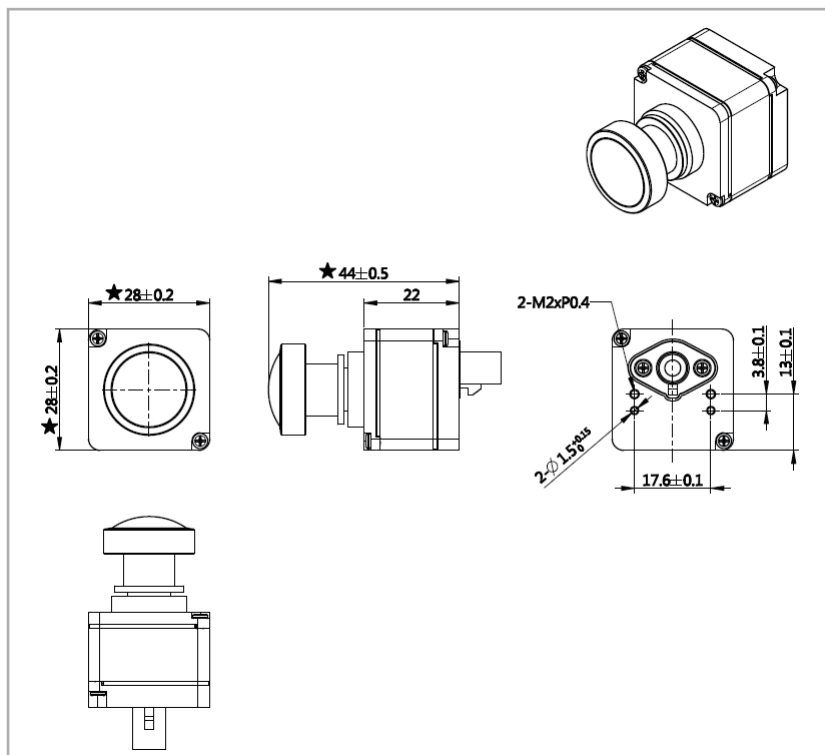
- oToCAM264-N73M Mechanical Dimensions



- oToCAM264-C120M Mechanical Dimensions



- oToCAM264-N186M Mechanical Dimensions



driving easier and safer



6F, No.18, Prosperity Rd.II, Science-Based Industrial Park,
Hsinchu, Taiwan, R.O.C

| +886-(0)3-666-7968

| sales@otobrite.com

| www.otobrite.com