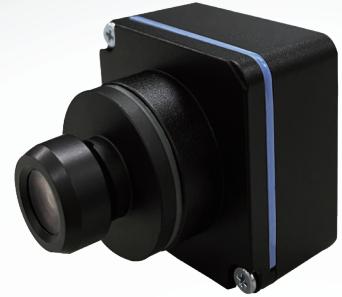


oToBrite



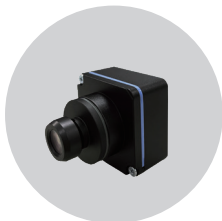
Automotive Camera



oToCAM222-M Series (ISX021)

Overview

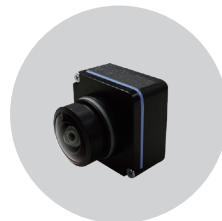
The oToCAM222-H61M/ oToCAM222-C120M/ oToCAM222-S195M is an automotive-grade camera designed for applications in autonomous driving. It uses a high-sensitivity CMOS sensor to deliver excellent image quality, meeting the visual detection requirements of the system product.



oToCAM222-H61M



oToCAM222-C120M



oToCAM222-S195M

Specifications

• General Specifications

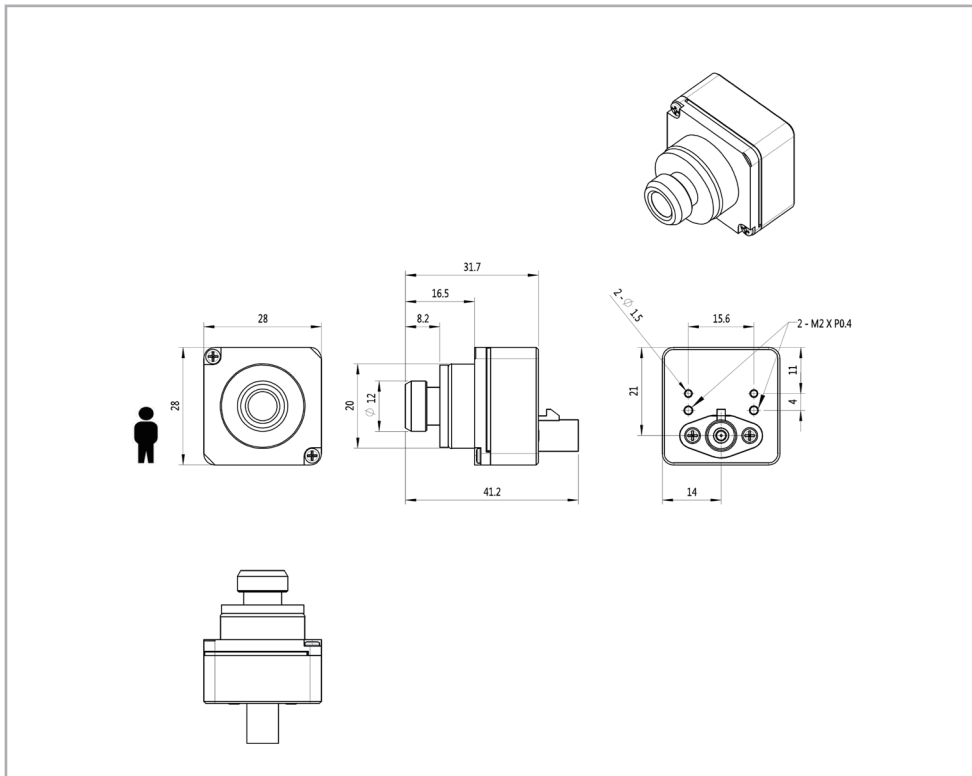
Item	Specifications
Image sensor	CMOS (Sony ISX021)
HDR	Supported
LFM	Supported
Optical format	1/2.57"
Pixel size	3.0 μm (H) × 3.0 μm (V)
ISP	Supported (SoC Sensor)
Camera output pixel number	2.46M (1920 (H) × 1280 (V))
Color filter array	RGGB
Output interface	GMSSL2 with POC
Output formats	MIPI 4lane YUV422 8bits
S/N ratio	51.35 dB
Power source (POC)/ Typical	DC 6 ~ 12V/6V
Startup time of power in	Within 200ms
Frame rate	30 fps (By setting)
Serializer	MAX9295
Camera current consumption	≤ 120mA @12V
Connector	Goldenconn Electronic Technology Co., Ltd. 1FABN24F01PNTV00
Operating temperature	-40°C ~ +85°C
Storage temperature	-40°C ~ +95°C
Dust/ Waterproof	IP67 /IP69K

• Product Specifications (by models)

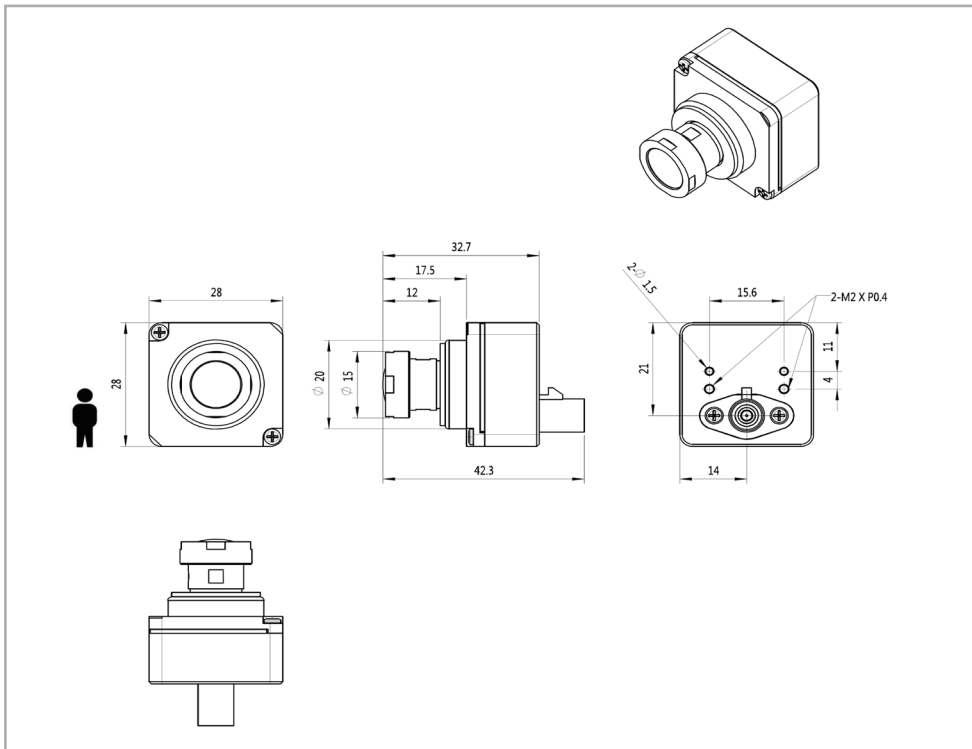
Item	oToCAM222-H61M	oToCAM222-C120M	oToCAM222-S195M
View angle (H)	64°	120.6°	195.9°
Lens F No.	F1.6	F1.4	F2.0
IR cut edge	650nm	650nm	650nm
DOF/ Object distance	3.0M~inf.@Inf.	1.0M~inf.@inf	0.15M~inf.@50cm
Resolution	TBD	TBD	TBD
Dimensions	28*28*31.7 mm (exclude FAKRA connector)	28*28*32.7 mm (exclude FAKRA connector)	28*28*28.6 mm (exclude FAKRA connector)
Weight	28.8g	27.6g	29.18g

Outline Drawing

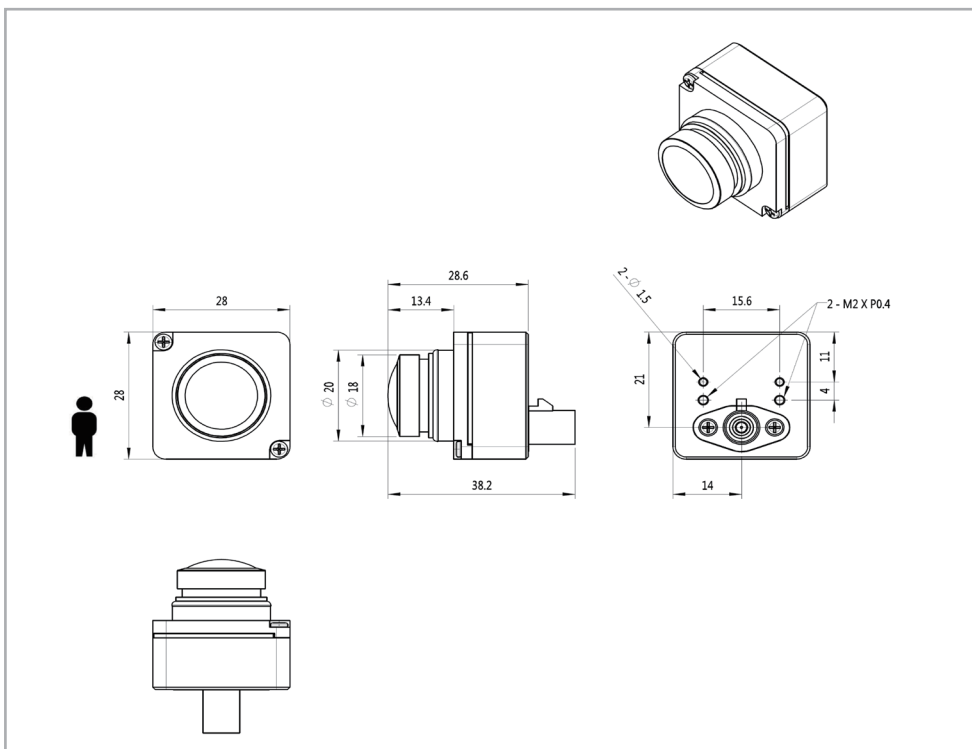
• oToCAM222-H61M Mechanical Dimensions



• oToCAM222-C120M Mechanical Dimensions



• oToCAM222-S195M Mechanical Dimensions



driving easier and safer



6F, No.18, Prosperity Rd.II, Science-Based Industrial Park,
Hsinchu, Taiwan, R.O.C

| +886-(0)3-666-7968

| sales@otobrite.com

| www.otobrite.com