

**oToBrite**



# Automotive Camera



oToCAM206-L137T (ISX019)

## Overview

The oToCAM206-L137T is the 137-degree camera designed for the application of vehicle lateral and rear monitoring. High sensitivity CMOS sensor performs good image quality to support object detection algorithm.

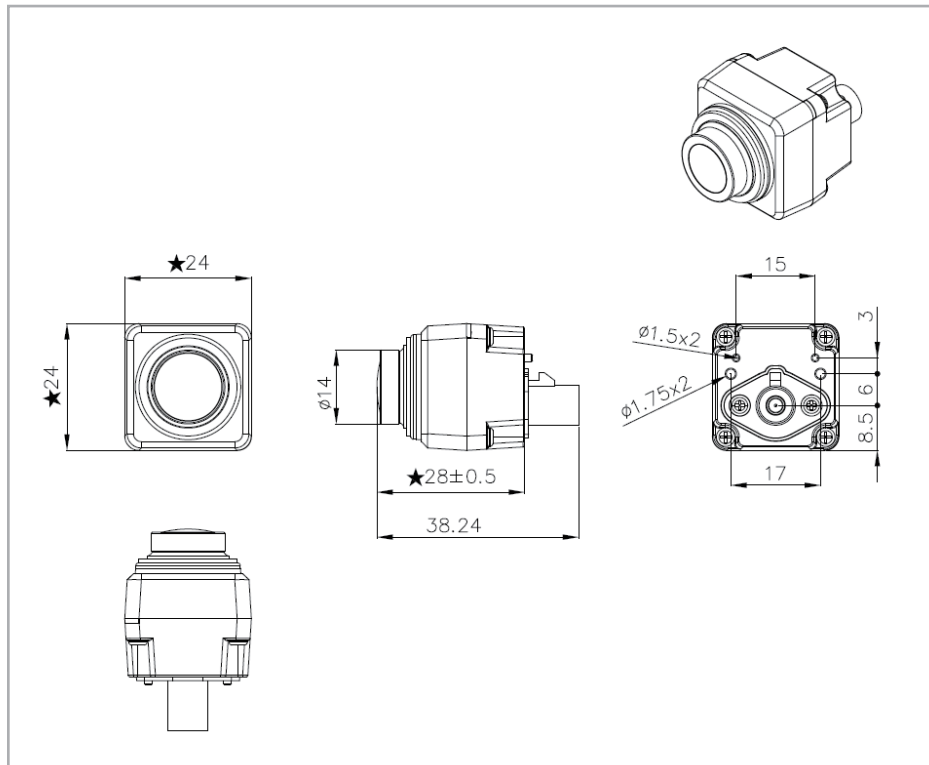
## Specifications

### • General Specifications

Item	Specifications
Image sensor	CMOS (Sony ISX019)
HDR	Supported
LFM	N/A
ISP	Supported (SoC sensor)
Camera output pixel number	1280(H) ×960 (V)
View angle (H/V)	HFOV: 137°; VFOV:107.6°
Resolution (Center/Corner)	TV line Center $\geq$ 600、Corner $\geq$ 500
Color filter array	RGGB
Output interface	FPD-Link III with POC
Output formats	Parallel 8-bit YCbCr data (uyvy)
Lens F No.	F2.0 $\pm$ 5%
IR cut edge	650nm
DOF/ Object distance	3M~inf.@Inf.
Power source (POC)/ Typical	DC 6~12V
Startup time of power in	Within 500ms
Frame rate	30 fps (default setting)
Connector	Amphenol SMB1251Y3-002-TT5GP-50
Exposure control	DOL3
Serializer	TI DS90UB913A-Q1
Camera current consumption	< 120mA @6V
Operating temperature	-40°C ~ +85°C
Storage temperature	-40°C ~ +95°C
Dust & Waterproof	IP67
Dimension	24*24*28 mm (exclude FAKRA connector)
Weight	16.5 $\pm$ 5g

# Outline Drawing

- oToCAM206-L137T Mechanical Dimensions



*driving easier and safer*



6F, No.18, Prosperity Rd.II, Science-Based Industrial Park,  
Hsinchu, Taiwan, R.O.C

| +886-(0)3-666-7968

| sales@otobrite.com

| www.otobrite.com