

**oToBrite**



# Automotive Camera



oToCAM204 / oToCAM206 (ISX019)

## Overview

The oToCAM204/ oToCAM206 is an automotive grade camera for the application of autonomous driving system. It uses high sensitive CMOS sensor to perform good image quality for the detection purpose of the system product.



oToCAM204



oToCAM206

## Specifications

### • General Specifications

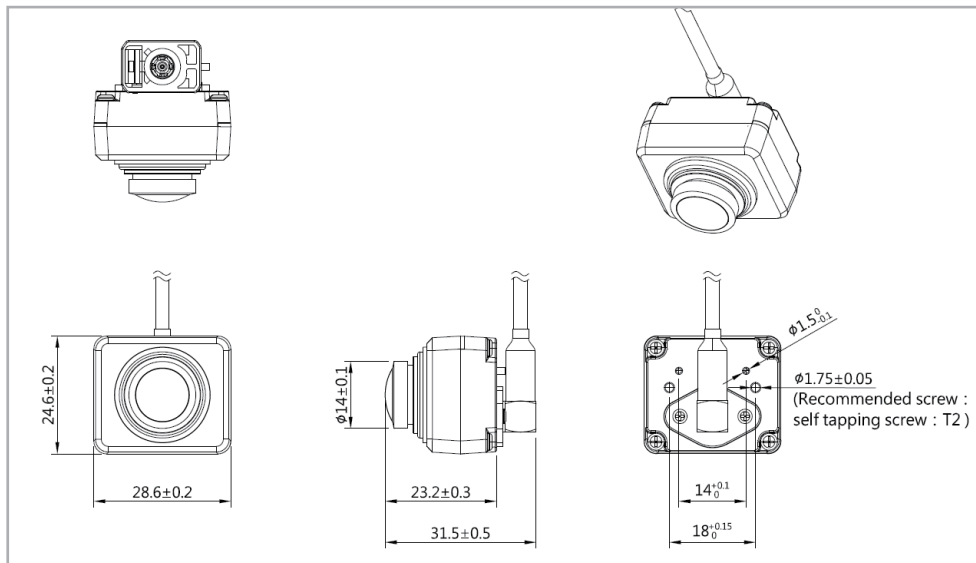
Item	Specifications
Image sensor	CMOS (Sony ISX019)
HDR	Supported
LFM	None
ISP	Supported (SoC sensor)
Color filter array	RGGGB
Output interface	FPD-Link III with POC
Output formats	Parallel 8-bit YCbCr data (uyvy)
Power source (POC)/ Typical	DC 6~12V
Startup time of power in	Within 500ms
Frame rate	30 fps (default setting)
Exposure control	DOL3
Serializer	TI DS90UB913A-Q1
Camera current consumption	< 120mA@ 6V
Operating temperature	-40°C ~ +85°C
Storage temperature range	-40°C ~ +95°C
Dust/ Waterproof	IP67

## • Product Specifications (by models)

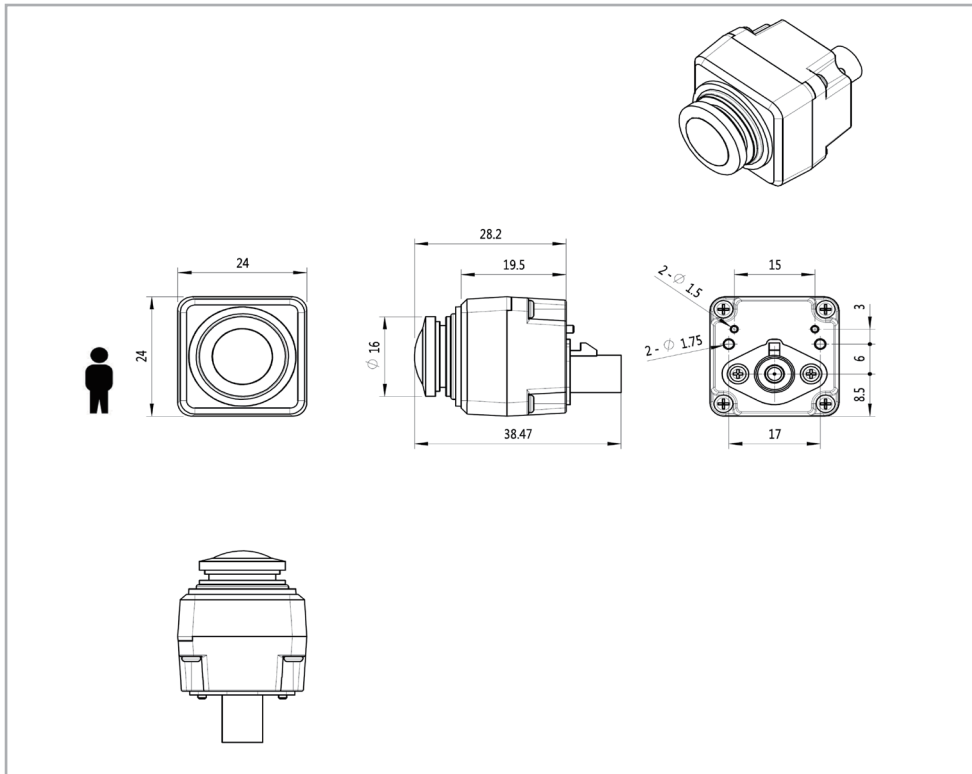
Item	oToCAM204	oToCAM206
Number of pixels (default)	1280(H) × 960(V)	1280(H) × 800 (V)
View angle (H/V)	HFOV: 189.2°; VFOV:150.8°	HFOV: 189°; VFOV:131°
Resolution	Center TV line $\geq$ 650; 0.7F TV line $\geq$ 500	Center TV line $\geq$ 500; Corner TV line $\geq$ 400
Lens F No.	F2.0	F2.0
DOF/ Object distance	0.06M~inf.@50cm	0.06M~inf.@50cm
IR cut ege	650nm	650nm
Connector	Amphenol 3FA1-NASJ-C01E6	Amphenol FK1251ZW-034-TT5GP-50
Dimensions	28.6*24.6*23.2 mm (exclude FAKRA connector)	24*24*28.2 mm (exclude FAKRA connector)
Weight	31g	17±5g

## Outline Drawing

### • oToCAM204 Mechanical Dimensions



• oToCAM206 Mechanical Dimensions



*driving easier and safer*



6F, No.18, Prosperity Rd.II, Science-Based Industrial Park,  
Hsinchu, Taiwan, R.O.C

| +886-(0)3-666-7968

| sales@otobrite.com

| www.otobrite.com